

TCM 400

Inverted Microscopy Solution



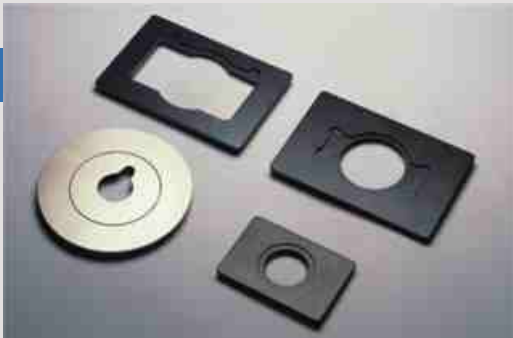
LABOMED

Ideas for Vision.

1



2



3



Highlights of TCM 400

- Vibration free stand, anti rust materials
- Infinity corrected true color long working distance Optical system
- Siedentopf Binocular and Trinocular, 30° inclined and Ergonomic tiltable 0° - 25° Binocular, viewing bodies
- Quadruple soft-touch nose piece
- Low positioned, precision coaxial focusing mechanism with focus stop and tension adjustment
- Fixed plain stage 160 x 240mm, optional mechanical stage and stage plate extender
- Transmitted illuminated system with 6V-30W halogen lamp. 110V-240V Universal Power Supply (UL-CE approved)
- Optional - Micro Manipulators, Fluorescence attachment, adapters for video and digital still camera and 35mm SLR cameras



1 DSC Adapter 2 Specimen Holders 3 Fluorescence Attachment

FUNGUS PREVENTATIVE - H E A COATINGS

TCM400 - Inverted Microscopy System for Cell Culture and Bio-Sciences



The TCM400 is a compact inverted research microscope with advanced performance features.

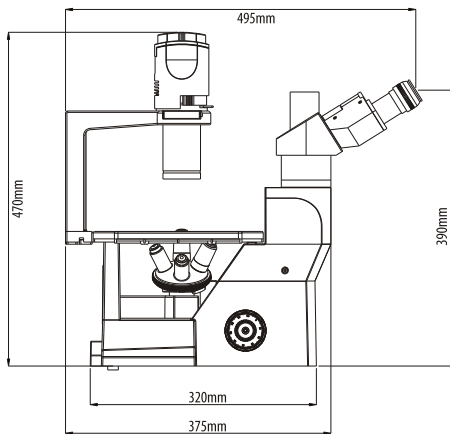
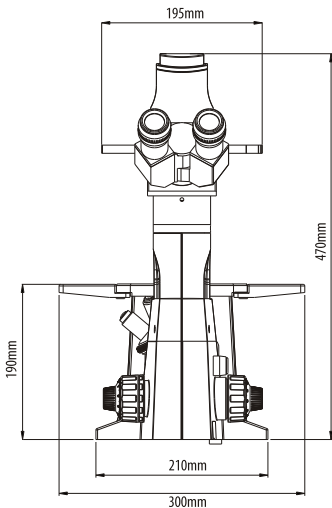
The microscope is designed for a wide range of research and bio-sciences applications. The observation and analysis of cell cultures and In Vitro Fertilization (IVF) studies are made easy through a wide range of accessories.

Equipped with LW series infinity corrected optics providing images with needle sharp contrast and definition. The extra long working distance objectives and super wide field eyepieces offer ease of operation. Teamed with accessories such as Phase Contrast, Fluorescence Technique System, Heated Stage and a wide variety of viewing bodies, the TCM 400 delivers high end performance at an unbelievable price.

High precision & sophisticated micro manipulators and accessories provide utmost convenience during Intracytoplasmic Sperm Injection (ICSI) for the IVF process.

With its Ergonomics, modularity and unmatched optical performance, TCM400 is an inverted microscope in a class of its own.

SPECIFICATIONS



STAND	Ergonomically designed sturdy stand made of anti rust material
NOSEPIECE	Quadruple, reversed type
STAGE	Rectangular 160 x 240mm Fixed plain stage, 35mm petri dish holder and three dish/sample holders, Optional stage extension plates and mechanical stage
ILLUMINATION	Transmitted illumination system 6V-30W Halogen with intensity control. 110V-240V Universal Power Supply (UL-CE approved)
FOCUSING SYSTEM	Co-axial coarse and fine focusing system with auto focus stop and tension adjustment
VIEWING BODIES	Siedentopf Binocular, Trinocular 30° inclined, IPD 52-75mm. Ergonomic tiltable 0° - 25° Binocular viewing body 360° rotatable, IPD 52-75mm
CONDENSER	Long working distance, NA 0.30, suitable for Phase contrast/BF with phase contrast slider Detachable condenser lens for using high flasks
EYEPIECE	Wide field 10x/22mm paired with eyeguards, Optional WF 16x/16mm with eyeguards
OBJECTIVES	LW series infinity corrected, True colour, Long working distance DIN Phase plan achromats 4x/NA 0.10, 10x/NA 0.25, 20x/NA 0.45; Optional 40x/0.65 Spring Loaded
ACCESSORIES	Mechanical Stage, Micromanipulators, Fluorescence attachment, Adaptors for Video, Digital still camera, 35mm SLR camera

Contact us:

WWW.OEM-OPTICAL.COM

WWW.OEM-OPTICAL.NET

