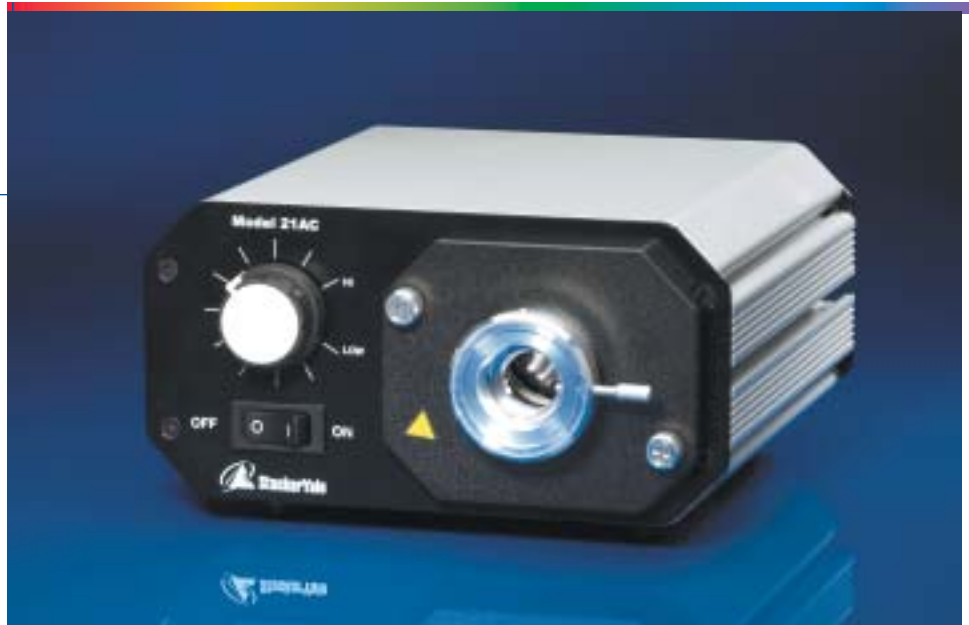


ILLUMINATION

# Imagelite™ Model 21AC Fiber Optic Illuminator

## FEATURES:

- High output 150 Watt EKE lamp
- Universal non-slip coupling
- Variable intensity control from 0 to 100%
- Rugged design with thermal switch and safety cut-off
- Easy lamp change
- Integrated mounting capabilities
- Custom configurations available



StockerYale's Imagelite™ Model 21AC fiber optic illuminator has been designed specifically as a cost effective, high-quality industrial light source for use in both microscopy and machine vision applications. This 150W halogen illuminator provides shadow-free, cool illumination to any application when coupled with one of our many standard fiber optic components.

The Model 21AC features 0-100% intensity control which, when set at maximum output, provides a 3200K lamp color temperature using the standard EKE lamp. Other 21-volt lamps such as the EKE-HC and EJV, may be used to further adapt this unit to meet specific application requirements. The innovative Ø1" (25.4 mm) V-port design with three-point contact allows for a "non-slip" coupling to almost any fiber optic component. Goosenecks, specifically, lock in place where they would otherwise rotate within the fiber optic port.

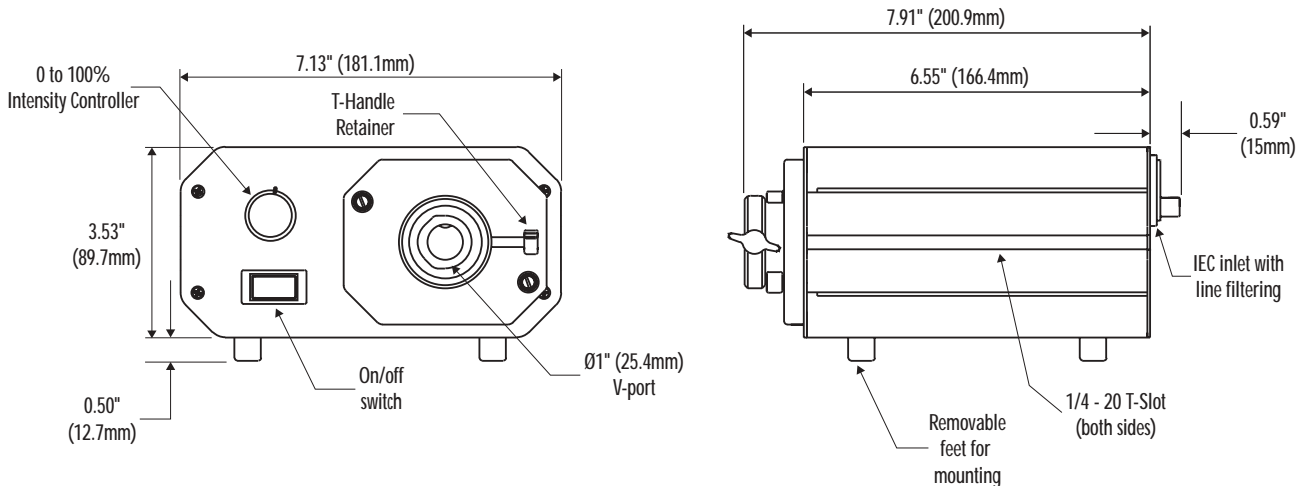
This reliable design incorporates a rugged housing made of an aluminum extrusion that is clear anodized for maximum durability. A #1/4-20 T-slot runs the length of both sides of the housing for integrated mounting capabilities. Standard Model 21AC accessories include a flexible positioning handle, mounting brackets and an IR filter insert.

## TECHNICAL SPECIFICATIONS

Input power:	180 Watt, max
Input voltage:	110 VAC; 60 Hz or 220 VAC; 50 Hz
Fuse rating:	quick acting; 3A 5x20mm (110 VAC) 2A 5x20mm (220 VAC)
Lamp adjustment range:	0 to 100%
Converter frequency:	50/60 Hz
Color temperature:	3200K at maximum intensity (assuming standard EKE lamp)
Lamp life:	250 to 10,000 hours
Light output:	40,000 fc

Weight:	7.5 lbs. (3.4 kgs.)
Output voltage:	21 VAC
Lamp type:	150W EKE, 3250K* 150W EKE-HC, 4200K 150W EJV, 3400K *Standard lamp type
Operating temperature:	32 to 104°F (0 to 40°C)
Humidity range:	0-80%; non-condensing
Agency approval:	<b>CE</b> marked (220 VAC only) <b>TÜV</b> listed (all units)

## DIMENSIONS



Note: Consult factory for available adapters.

\* Unit includes 8' (2.44m) IEC line cord, various plug types available.



**Corporate Headquarters**  
32 Hampshire Road  
Salem, New Hampshire 03079 USA  
**800-843-8011**  
603-893-8778 Fax: 603-893-5604  
sales@stockeryale.com  
www.stockeryale.com

StockerYale and the StockerYale logo are trademarks of StockerYale, Inc.  
All other brand and product names are trademarks or registered trademarks of  
their respective holders.

Copyright © May 2003 StockerYale, Inc. Printed in the USA  
All rights reserved. FO-026-02