

**CXE**

Educational Microscopy Solution



**LABOMED**

**Ideas for Vision.**

# CXE - Setting the Standard for Class Room Microscopes

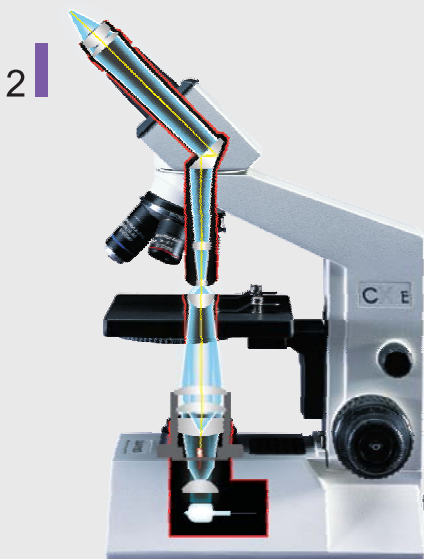
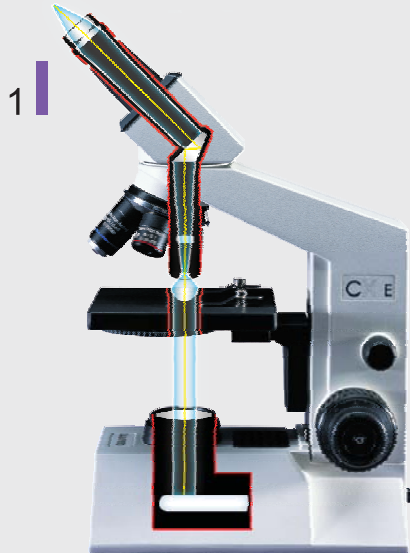


## **Performance power with 3 illumination systems, precision mechanical modules and high performance optics**

CXE is an educational microscope designed to enhance operational convenience by combining innovative design and high quality optics. Simplified operations and superb EP series optics create a compound microscope of great performance and versatility.

CXE has a streamlined and attractive design which is comfortable to operate and provides greater durability under constant use by students.

Compact, lightweight yet robust, CXE provides all the features demanded by students and teachers alike. Its unique design offers top optical performance, stability and ergonomics, making CXE the prime choice for class room environment.



## Highlights of CXE

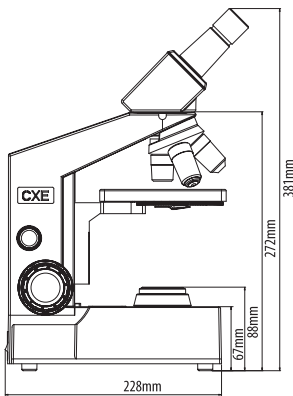
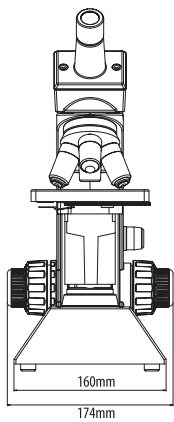
- | Monocular Observation tube, 45° inclined
- | Locked-on Eyepiece
- | Ball bearing guided quadruple turret
- | Robust stage with disc diaphragm, slide fingers and condenser NA 0.65
- | Co-axial coarse and fine focus with tension adjustment ring
- | Scratch and Chemical resistant paint
- | Illumination Options:
  - 6V-10W Halogen with variable intensity
  - 5W Fluorescent tube for cool light
  - White LED with 9V battery
- | Optional Mechanical Stage



**ANTI FUNGUS - H E A COATINGS**

**1 Fluorescent 2 Halogen 3 LED**

# SPECIFICATIONS



STAND	Stable Stand with convenient location of focus controls
NOSEPIECE	Quadruple Nosepiece, ball bearing type
STAGE	Stage plate size 125 X 120mm with spring loaded stage clips
ILLUMINATION	Available in various illumination options including 5W Fluorescent Tube, 10W Halogen Bulb with intensity control, LED with 9V batteries or Reflector mirror base
FOCUSING SYSTEM	Co-axial coarse and fine focusing mechanism system on ball bearing guide-ways. Tension adjustment ring and focus stop provided.
VIEWING TUBE	Monocular tube inclined at 45°, 360° rotatable
CONDENSER	Sub-stage disc diaphragm N.A. 0.65
OBJECTIVES	EP series Semi Plan Achromatic 4X, 10X and 40X (SL), anti fungus
EYEPIECES	WF 10X (FN 18mm) with eye guard and pointer
ACCESSORIES	Mechanical Stage, Cord Hanger Kit, 100x (SL, Oil) objective

Contact us:

[WWW.OEM-OPTICAL.COM](http://WWW.OEM-OPTICAL.COM)

[WWW.OEM-OPTICAL.NET](http://WWW.OEM-OPTICAL.NET)

